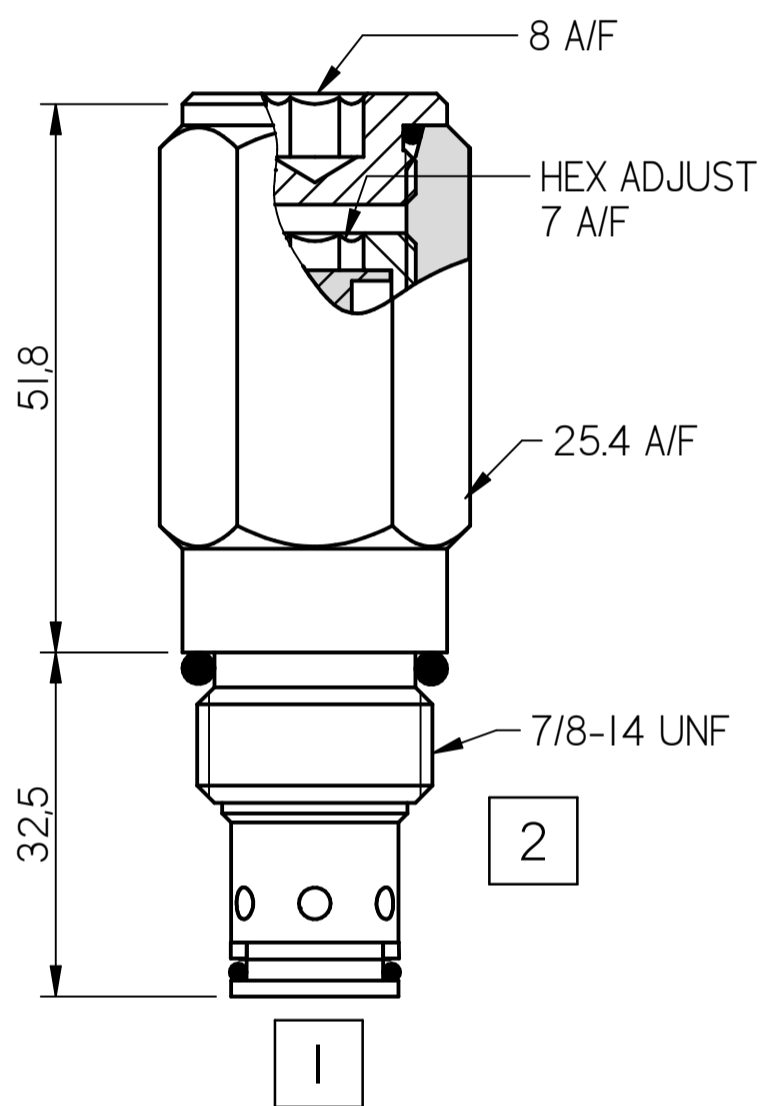
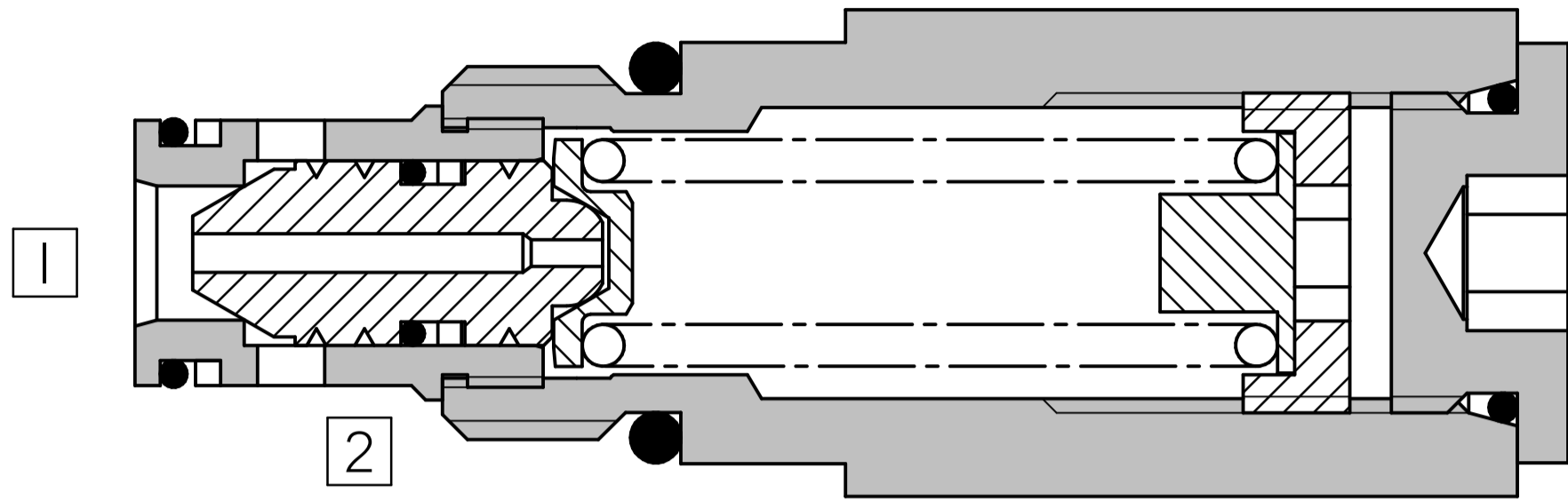
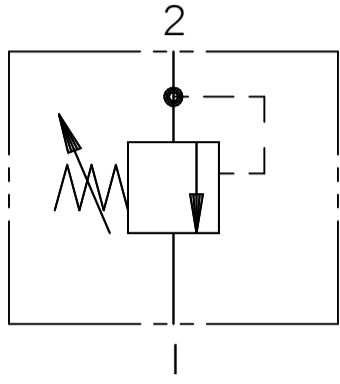


FLUID POWER SYMBOL



Application

Relief valves are used to limit the pressure in the system. Differential area relief valves are fast acting and are used where protection is required against shock pressures that may damage actuators.

Operation

The Tank port (1) is connected to the spring chamber through the hole in the poppet. The Pressure port (2) acts on the annular area of the poppet. When sufficient pressure is reached, the poppet unseats opening the pressure port to the tank port.

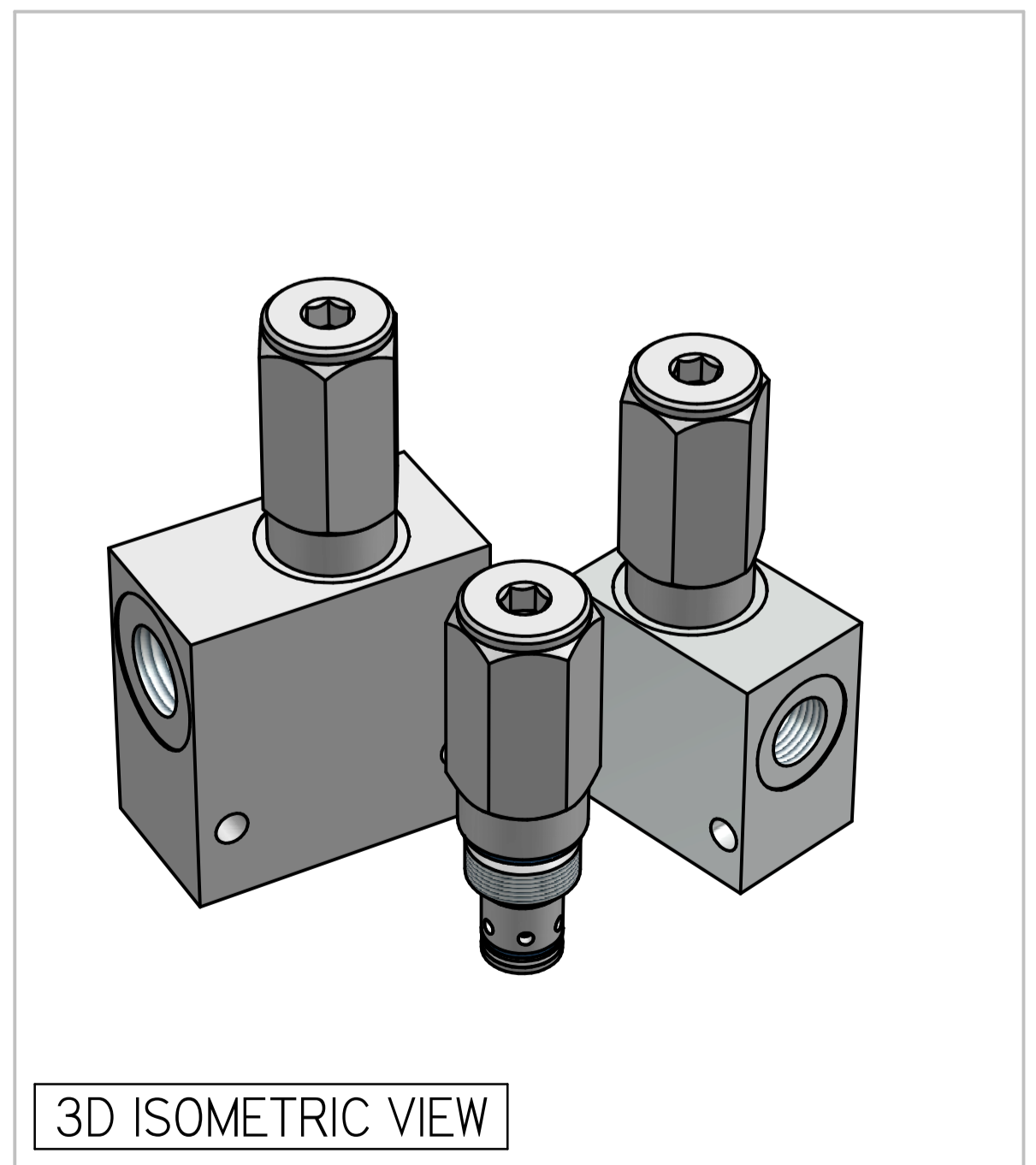
Features

In the differential area relief valve, a smaller annular area means spring force required to unseat the poppet is small. Hence the cartridge is overtly pressure sensitive as compared to other relief valves. It can also accommodate a very high flow rate for its small size. Cartridge construction gives maximum flexibility in mounting.

Specifications

Figures based on: Oil Temp = 40°C Viscosity = 40 cSt

Rated Flow	60 lpm
Max Pressure	170 bar
Cartridge Material	Working parts : Hardened, ground steel External surfaces : Zinc plated
Weight (Cartridge only)	DARV3: 0.200 kg
Cavity Number	SAE10-2 (Refer Cavities Section)
Manifold Material	Aluminium (upto 170 bar)
Torque into Cavity	45 Nm
Mounting	Line
Seal Kit Number	SKDARV3 (Nitrile) SKDARV3V (Viton®)
Filtration Level	BS5540/4 Class 18/13 (25µ nominal)
Operating Temp	-20°C to +90°C (Standard Seals)
Leakage	Less than 0.3 millilitres/min (5 dpm)
Viscosity Range	5 to 500 cSt

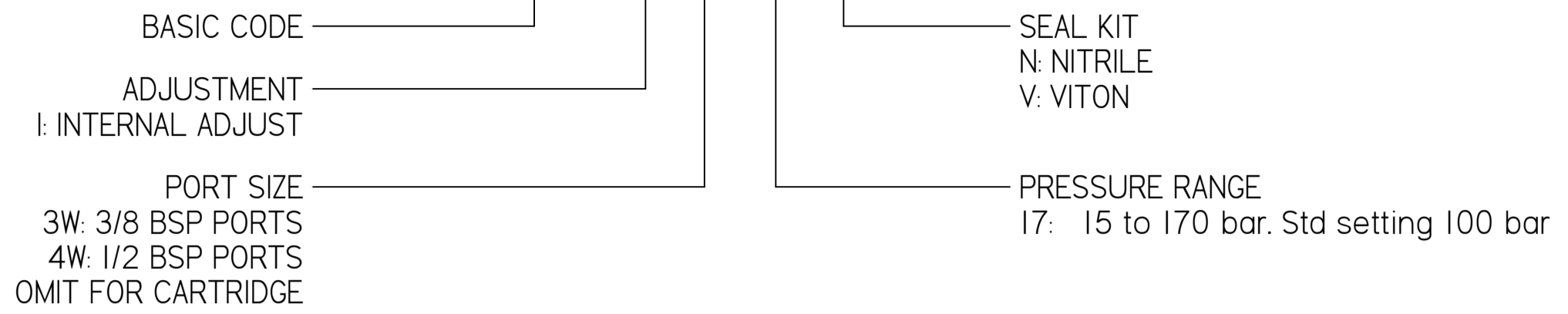


3D ISOMETRIC VIEW

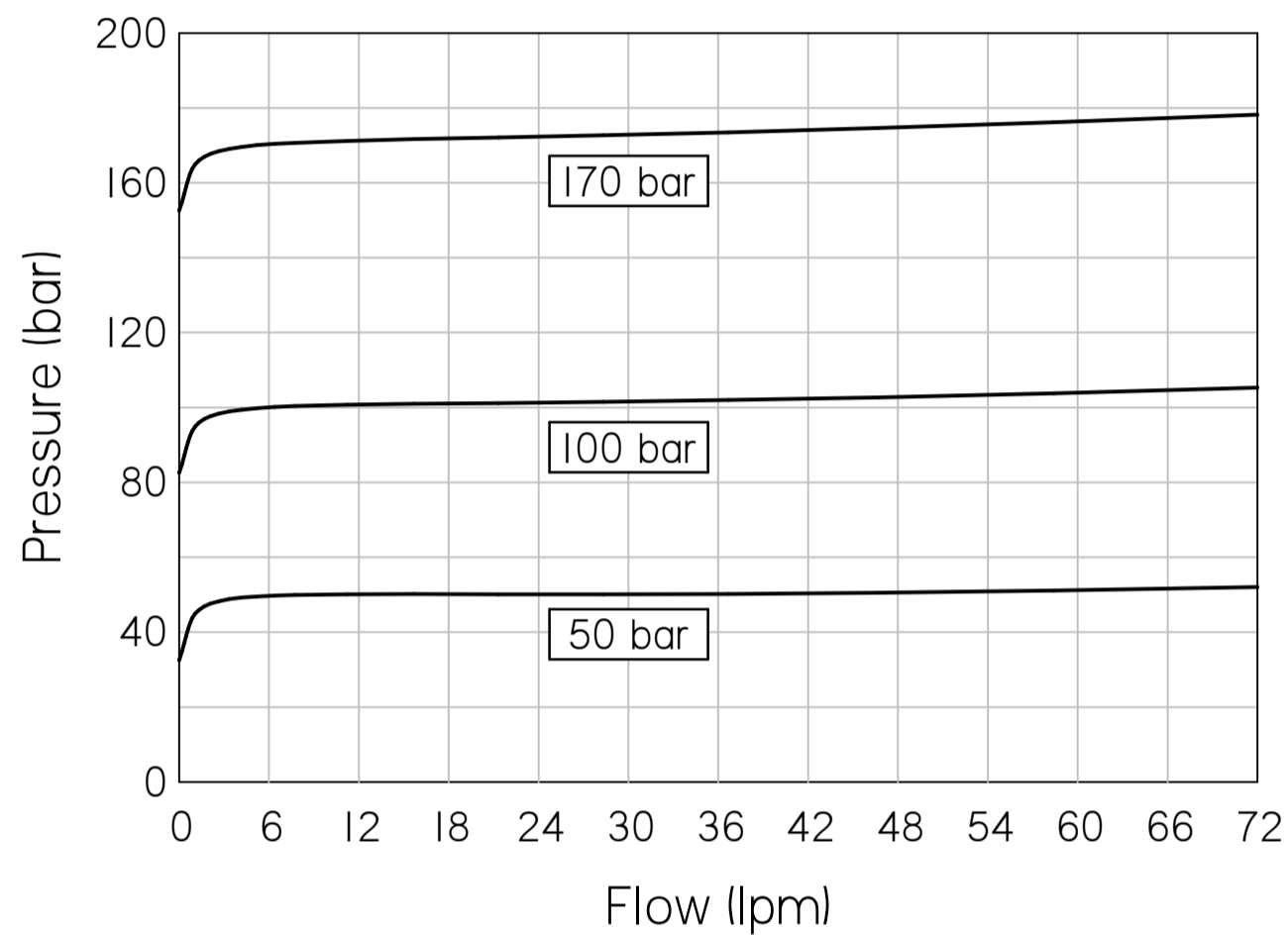
Where measurements are critical request certified drawings. We reserve the right to change specifications without notice.

TO ORDER

DARV3 | 4W | 17 | N



PRESSURE CHARACTERISTICS

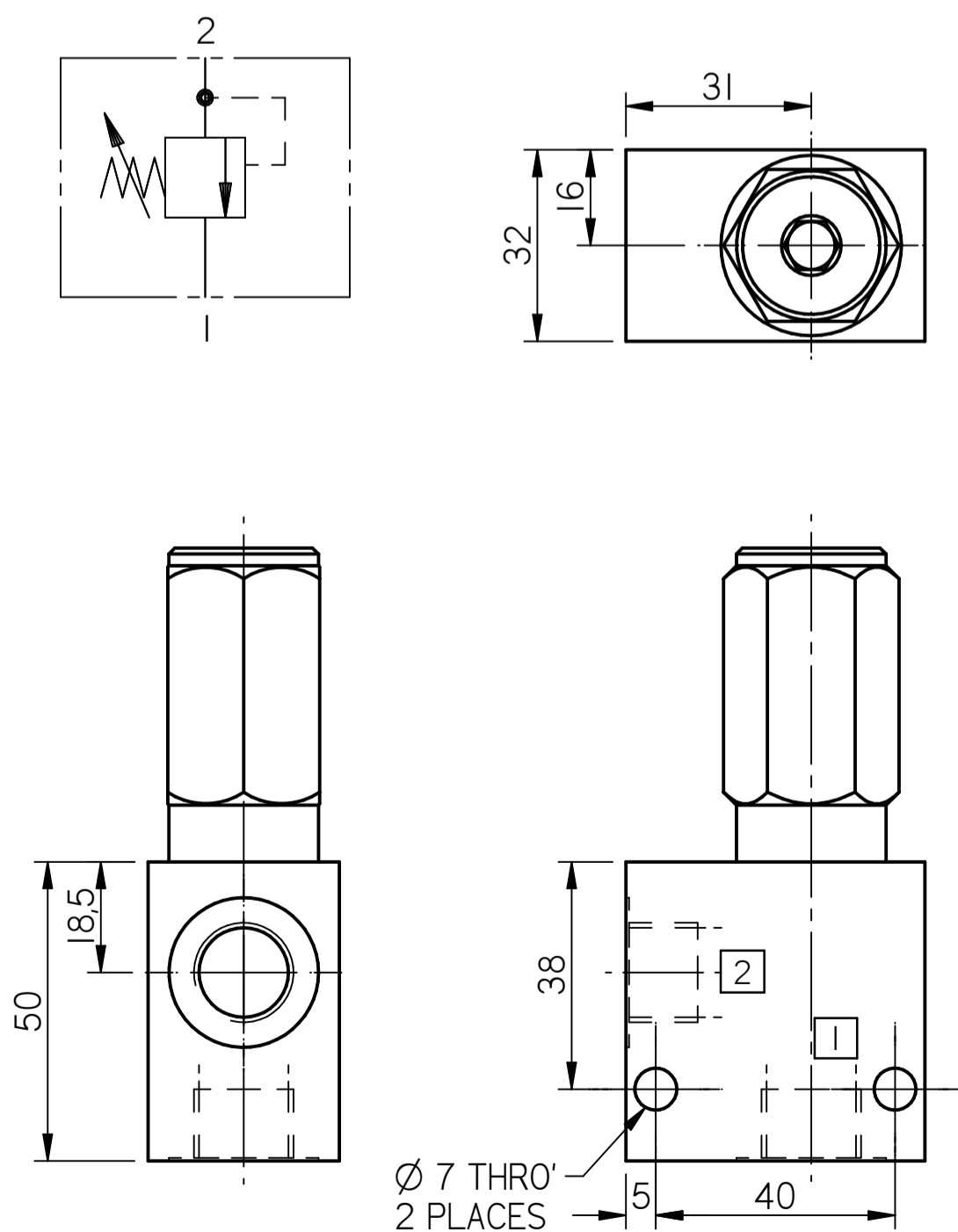


COMPLETE VALVE 3/8" BSP PORTS

BASIC CODE: DARV3 3W

ONLY Body Part Numbers (BSP)

Aluminium 3/8" Z10221 SG Iron 3/8" Z10221S

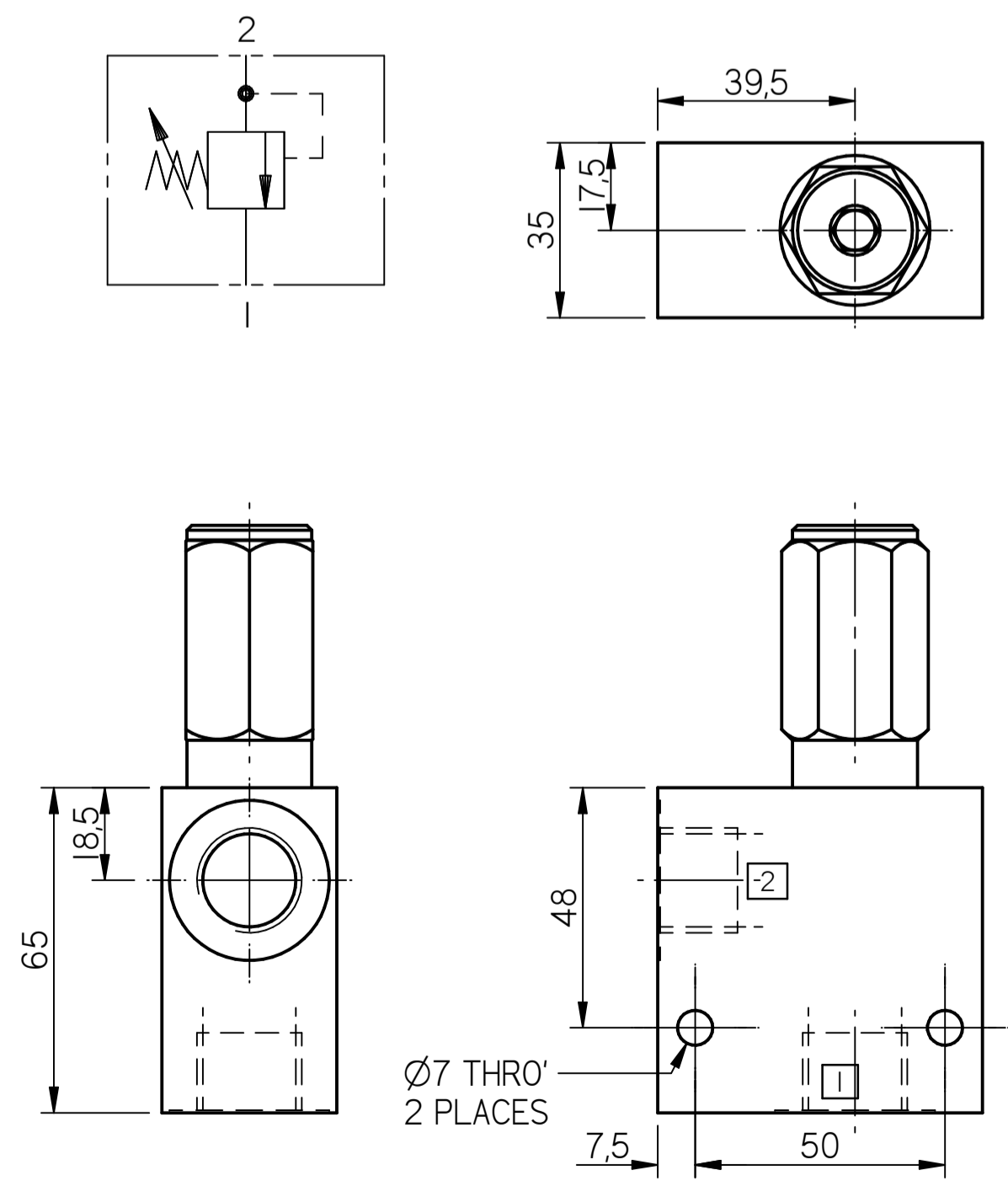


COMPLETE VALVE 1/2" BSP PORTS

BASIC CODE: DARV3 4W

ONLY Body Part Numbers (BSP)

Aluminium 1/2" Z10212 SG Iron 1/2" Z10212S



Where measurements are critical request certified drawings. We reserve the right to change specifications without notice.