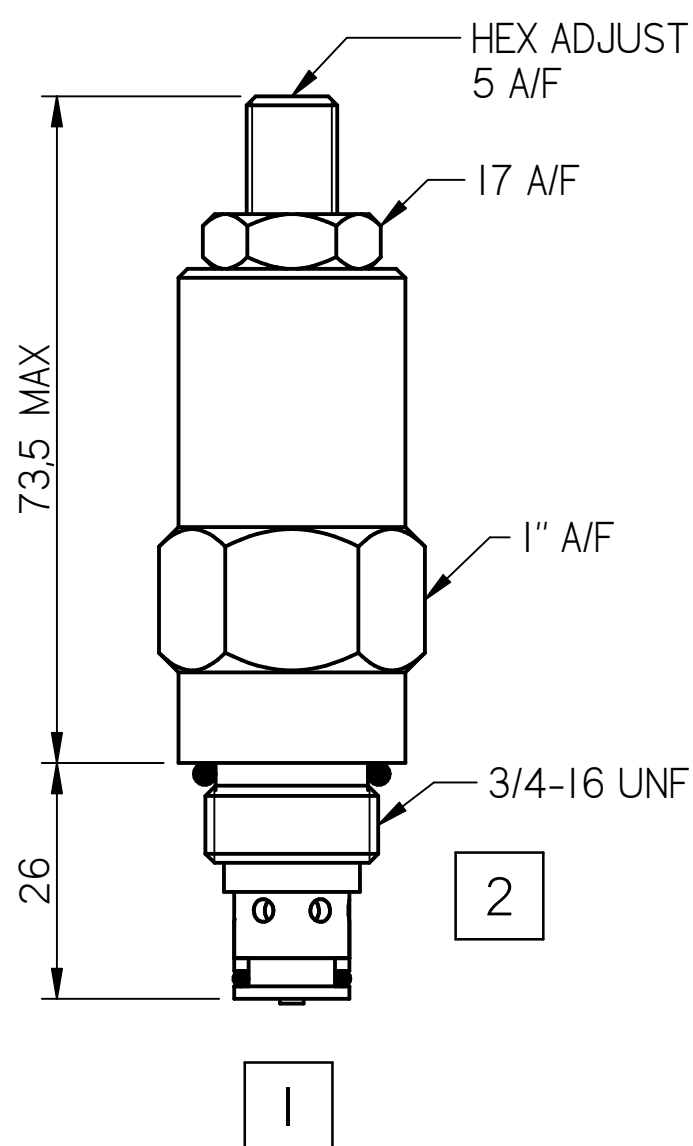
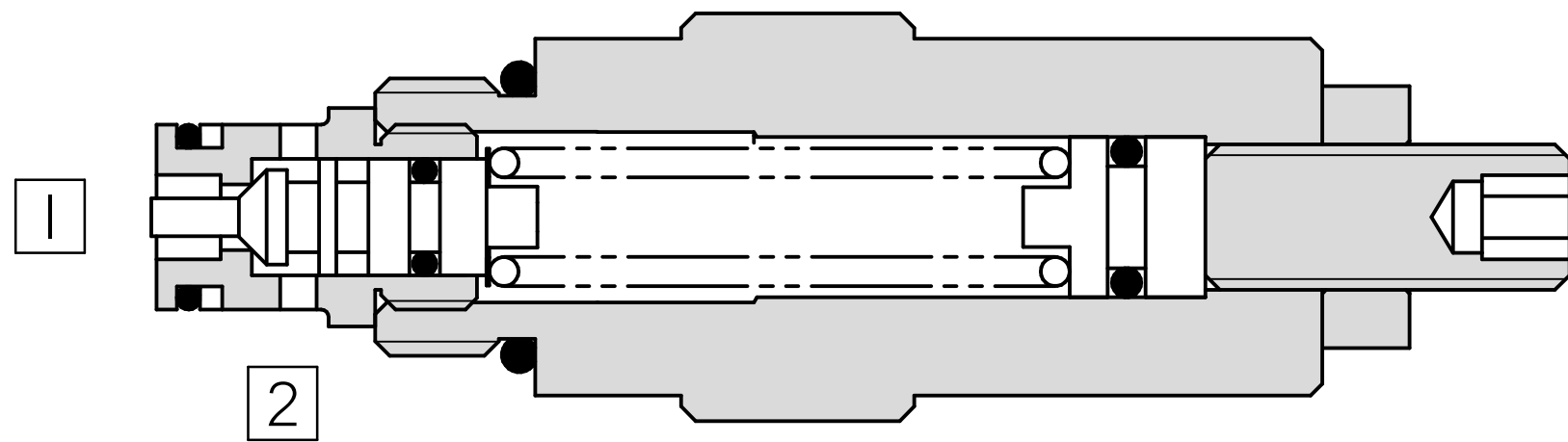
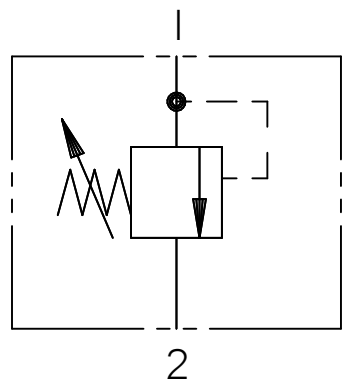


FLUID POWER SYMBOL



Application

The valve is used to limit the pressure in the system. This economical solution for small flow systems is also suited for pilot systems. Being a direct operated, zero leak valve and its compact nature, the valve finds applications in most hydraulic systems

Features

Hardened, match ground and honed working parts give a long, trouble-free service life. The valve provides a consistent and stable operation with a low pressure rise due to increasing flow. Cartridge construction allows for maximum flexibility in mounting.

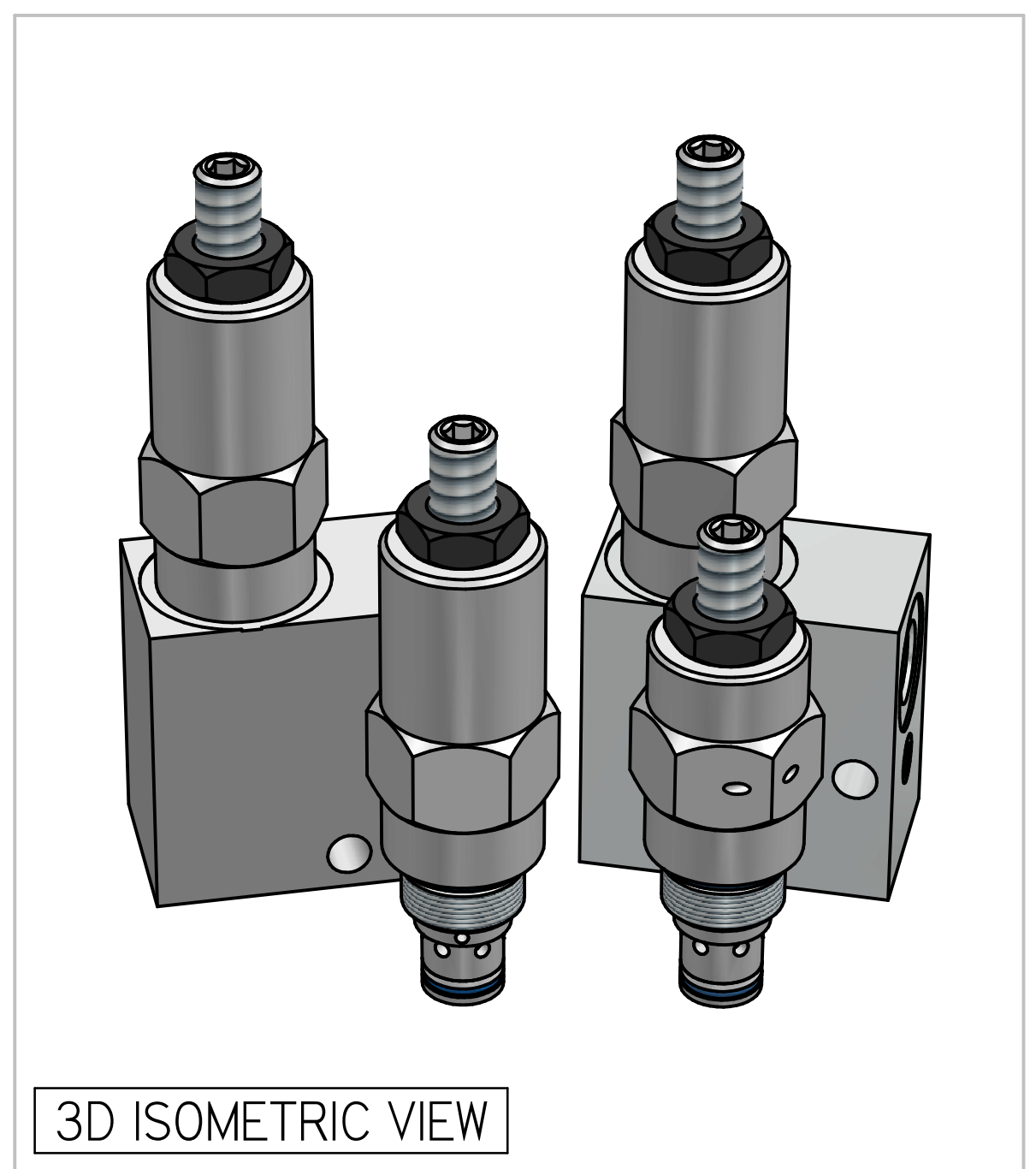
Operation

As with all direct acting relief valves, when the pressure at the Pressure Port (1) exceeds the spring force, the spool shifts backward opening the radial holes and allowing the flow from the Pressure Port to the Tank Port (2). The pressure can be set by adjusting the tension in the spring.

Specifications

Figures based on: Oil Temp = 40°C Viscosity = 40 cSt

Rated Flow	30 lpm
Max Pressure	400 bar
Cartridge Material	Working parts : Hardened, ground steel External surfaces : Zinc plated
Weight (Cartridge only)	DRV08: 0.100 kg
Cavity Number	SAE08-2 (Refer Cavities Section)
Manifold Material	Aluminium (upto 250 bar) Add Suffix '729' for SG Iron (350 bar)
Torque into Cavity	45 Nm
Mounting	Line
Seal Kit Number	SKDRV08 (Nitrile) SKDRV08 V (Viton®)
Filtration Level	BS5540/4 Class 18/13 (25µ nominal)
Operating Temp	-20°C to +90°C (Standard Seals)
Leakage	Less than 0.3 millilitres/min (5 dpm)
Viscosity Range	5 to 500 cSt



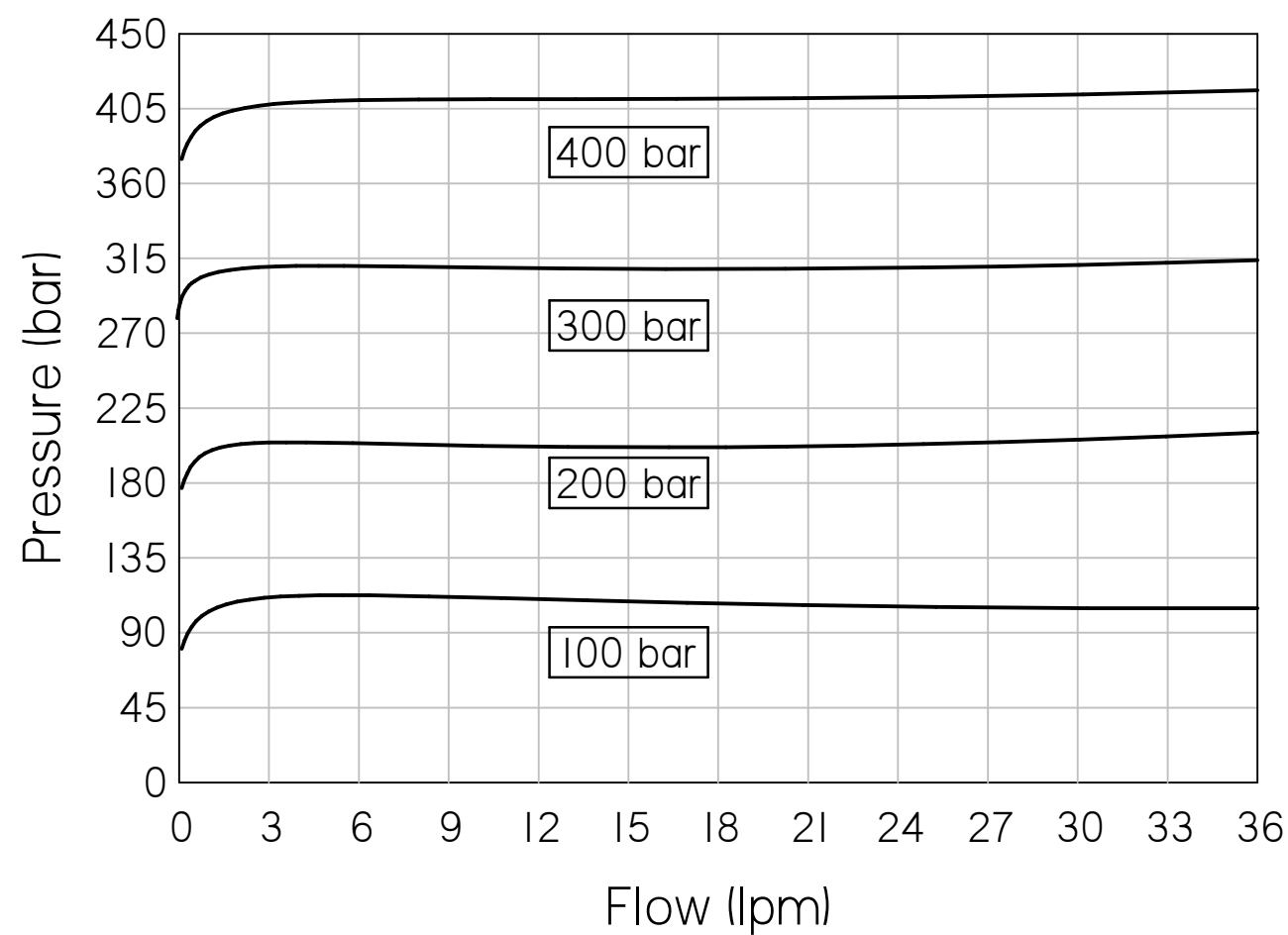
Where measurements are critical request certified drawings. We reserve the right to change specifications without notice.

**TO ORDER**

**DRV08 P 3W 20 N**

BASIC CODE	SEAL KIT
ADJUSTMENT	N: NITRILE
P: LEAKPROOF SCREW	V: VITON
PORT SIZE	PRESSURE RANGE
2W: 1/4 BSP PORTS	10: 10 to 100 bar. Std setting 70 bar
3W: 3/8 BSP PORTS	20: 10 to 200 bar. Std setting 100 bar
OMIT FOR CARTRIDGE	40: 30 to 400 bar. Std setting 280 bar

**PRESSURE CHARACTERISTICS**

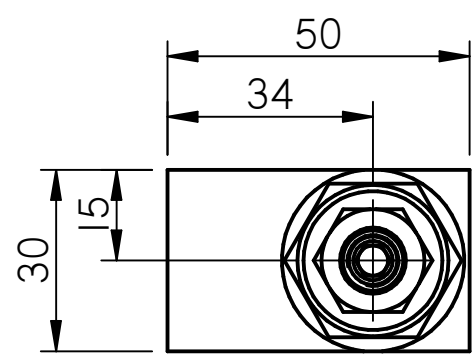
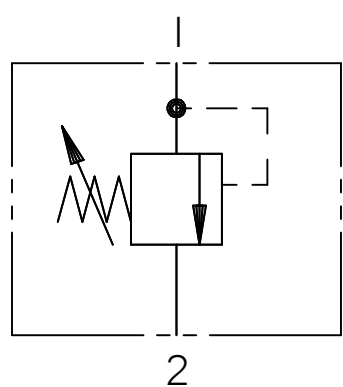


**COMPLETE VALVE** 3/8" BSP PORTS

BASIC CODE: DRV08 3W

ONLY Body Part Numbers (BSP)

Aluminium	SG Iron
1/4" Z10216	1/4" Z10216S

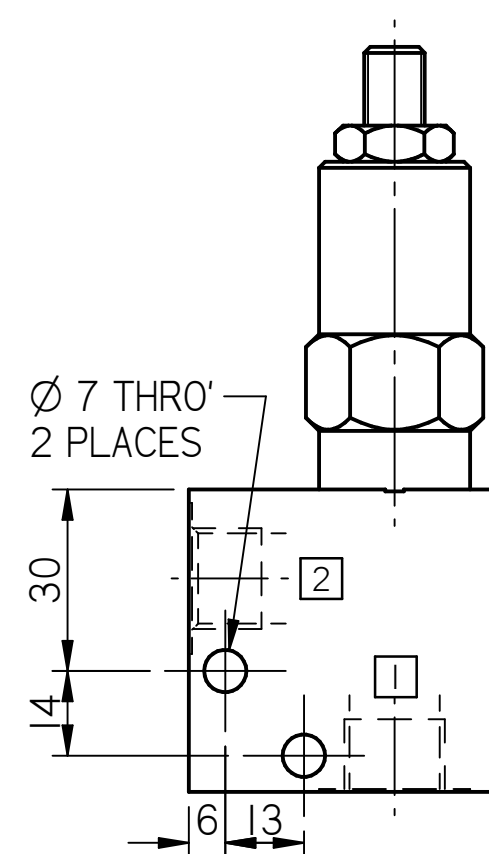
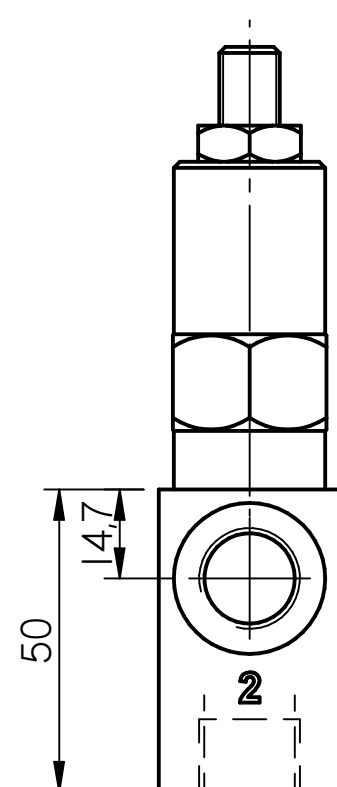
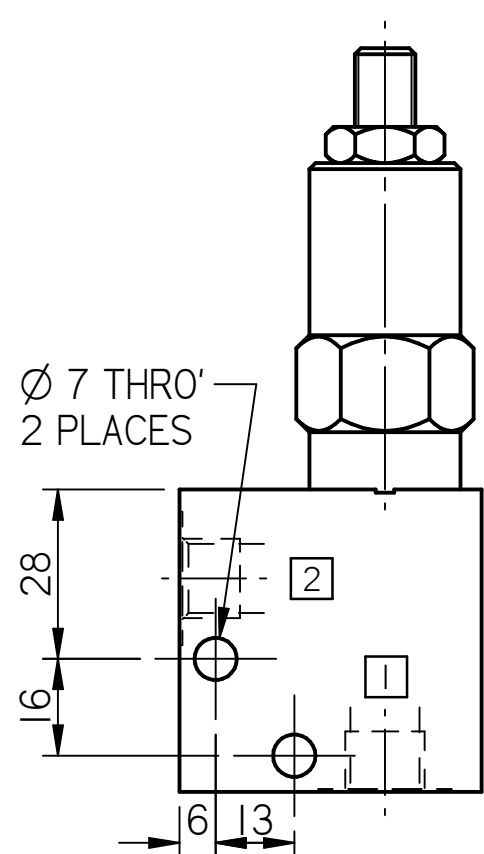
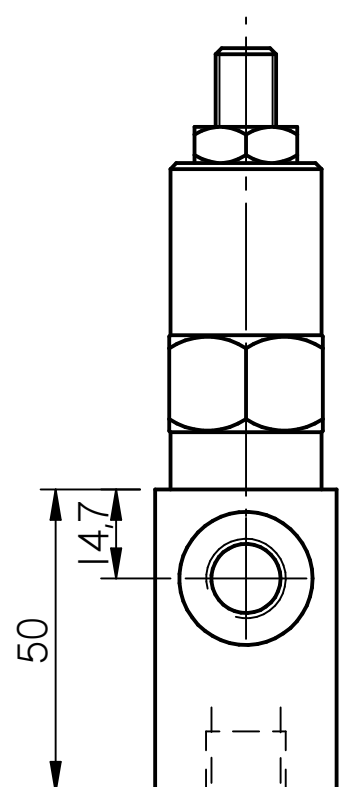
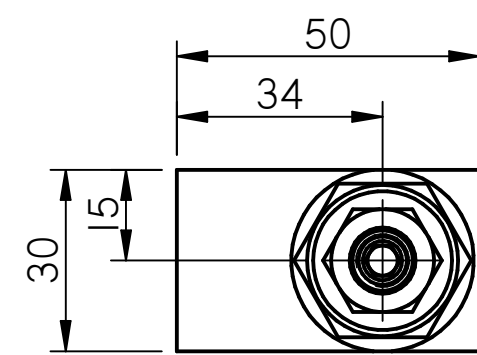
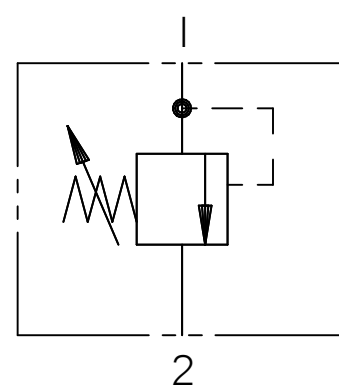


**COMPLETE VALVE** 3/8" BSP PORTS

BASIC CODE: DRV08 3W

ONLY Body Part Numbers (BSP)

Aluminium	SG Iron
3/8" Z10280	3/8" Z10280S



Where measurements are critical request certified drawings. We reserve the right to change specifications without notice.