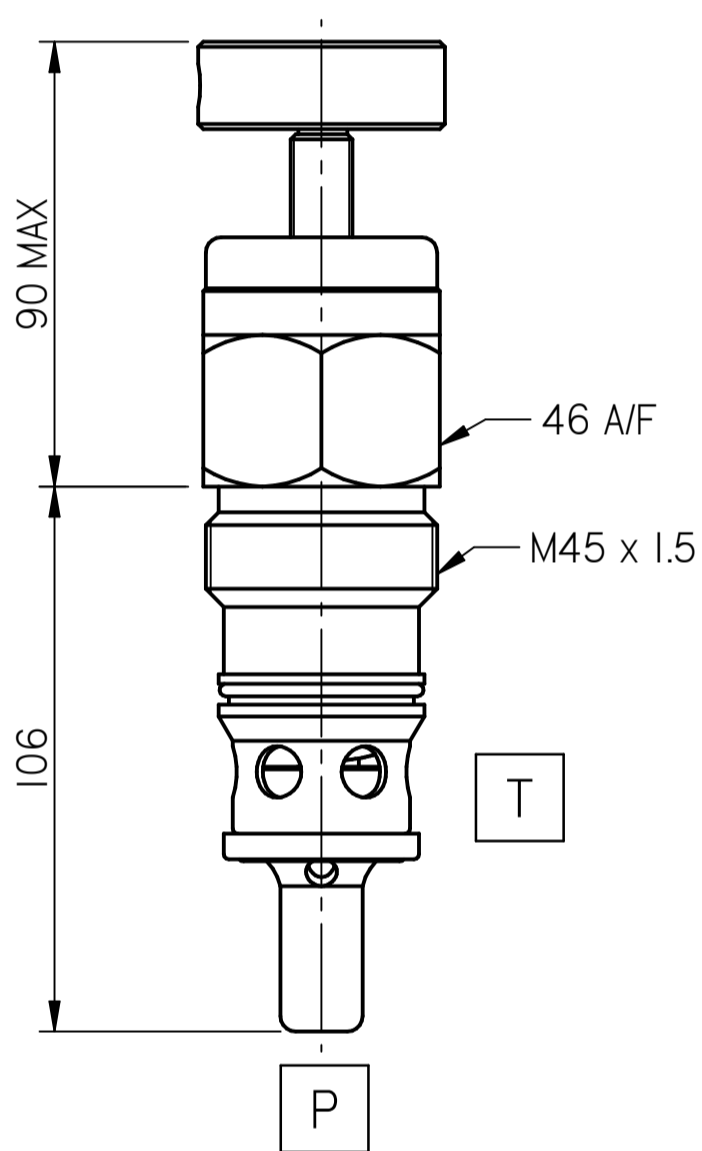
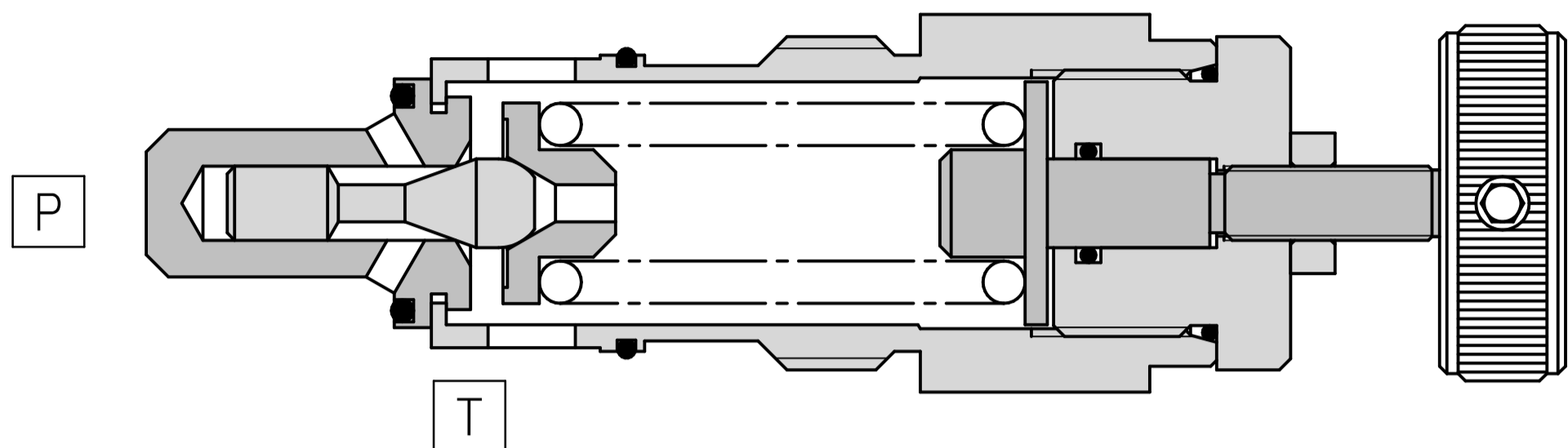
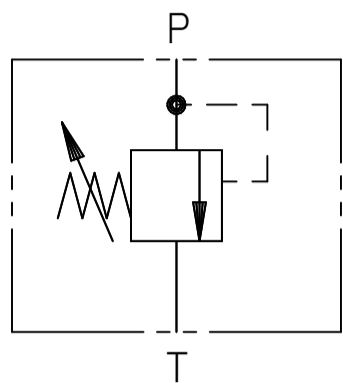


FLUID POWER SYMBOL



**Application**

Pressure Relief valves are used to limit the pressure in the system as set on the valve. Direct Relief Valves are applicable in systems where quick pressure release is of prime concern for safety. This is an economical solution for systems having moderately large flows. The valve is a zero leak valve due to the metal sealing of the poppet on the seat.

**Operation**

As with all direct acting pressure relief valves, when the pressure at the inlet (P) exceeds the spring force set by the adjuster, the poppet moves back, opening the inlet (I) to outlet (T). This relieves the pressure to tank. The

dampening buffer on the nose of the valve dampens the vibrations caused by pressure variations on the valve. This gives it a smooth opening and closing characteristic with minimum chatter.

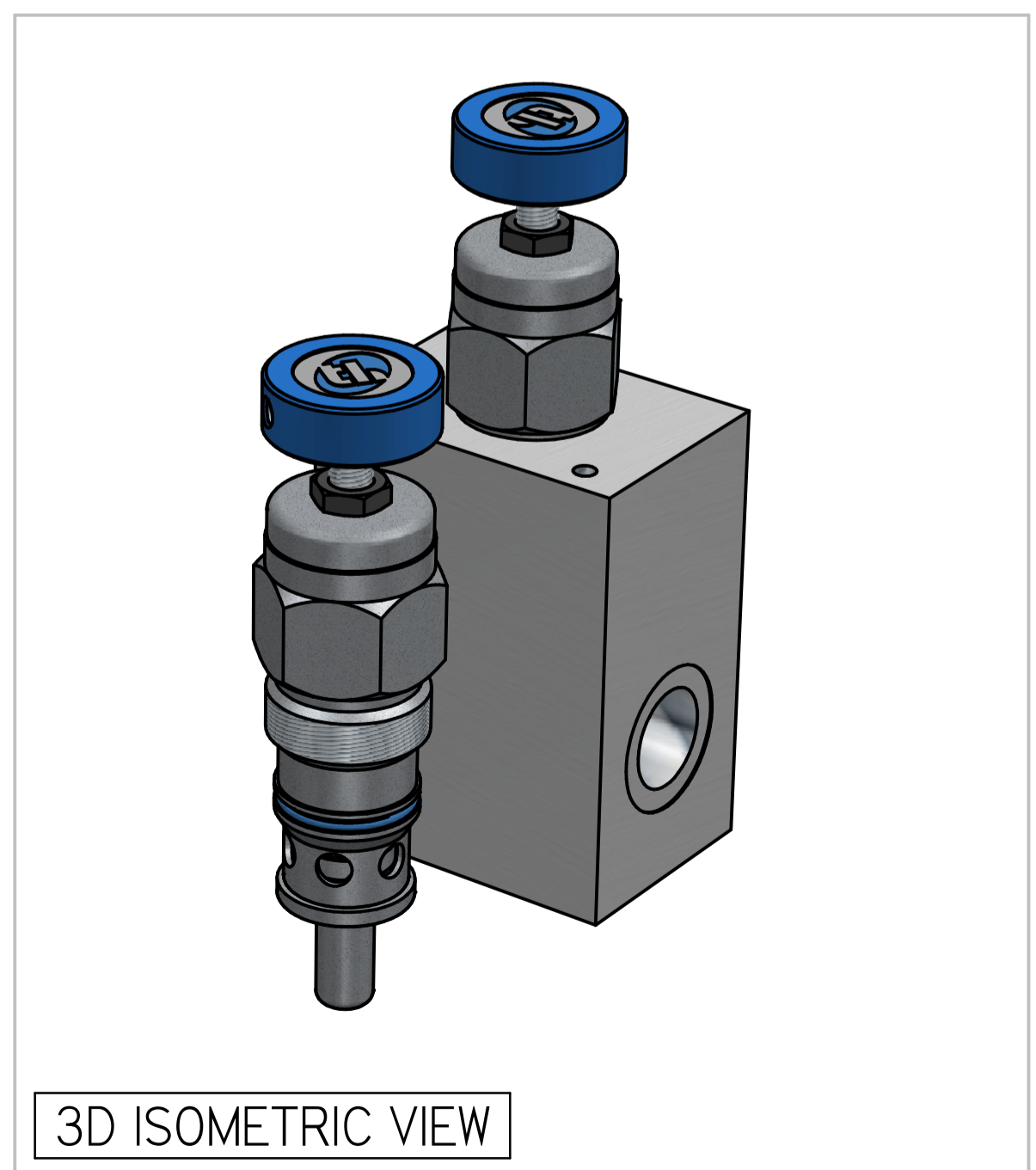
**Features**

Matched ground and hardened working parts give a long and trouble-free life. Consistent stable operation providing low pressure over ride even with increasing flows. Cartridge type construction gives maximum flexibility in mounting.

**Specifications**

Figures based on: Oil Temp = 40°C Viscosity = 40 cSt

Rated Flow	160 lpm
Max Pressure	350 bar
Cartridge Material	Working parts : Hardened, ground steel External surfaces : Zinc plated
Weight (Cartridge only)	DR20: 0.680 kg
Cavity Number	CDR20 (Refer Cavities Section)
Manifold Material	SG Iron (upto 350 bar)
Torque into Cavity	100 Nm
Mounting	Line
Seal Kit Number	SKDR20 (Nitrile) SKDR20V (Viton®)
Filtration Level	BS5540/4 Class I8/I3 (25µ nominal)
Operating Temp	-20°C to +90°C (Standard Seals)
Leakage	Less than 0.3 millilitres/min (5 dpm)
Viscosity Range	5 to 500 cSt



3D ISOMETRIC VIEW

Where measurements are critical request certified drawings. We reserve the right to change specifications without notice.

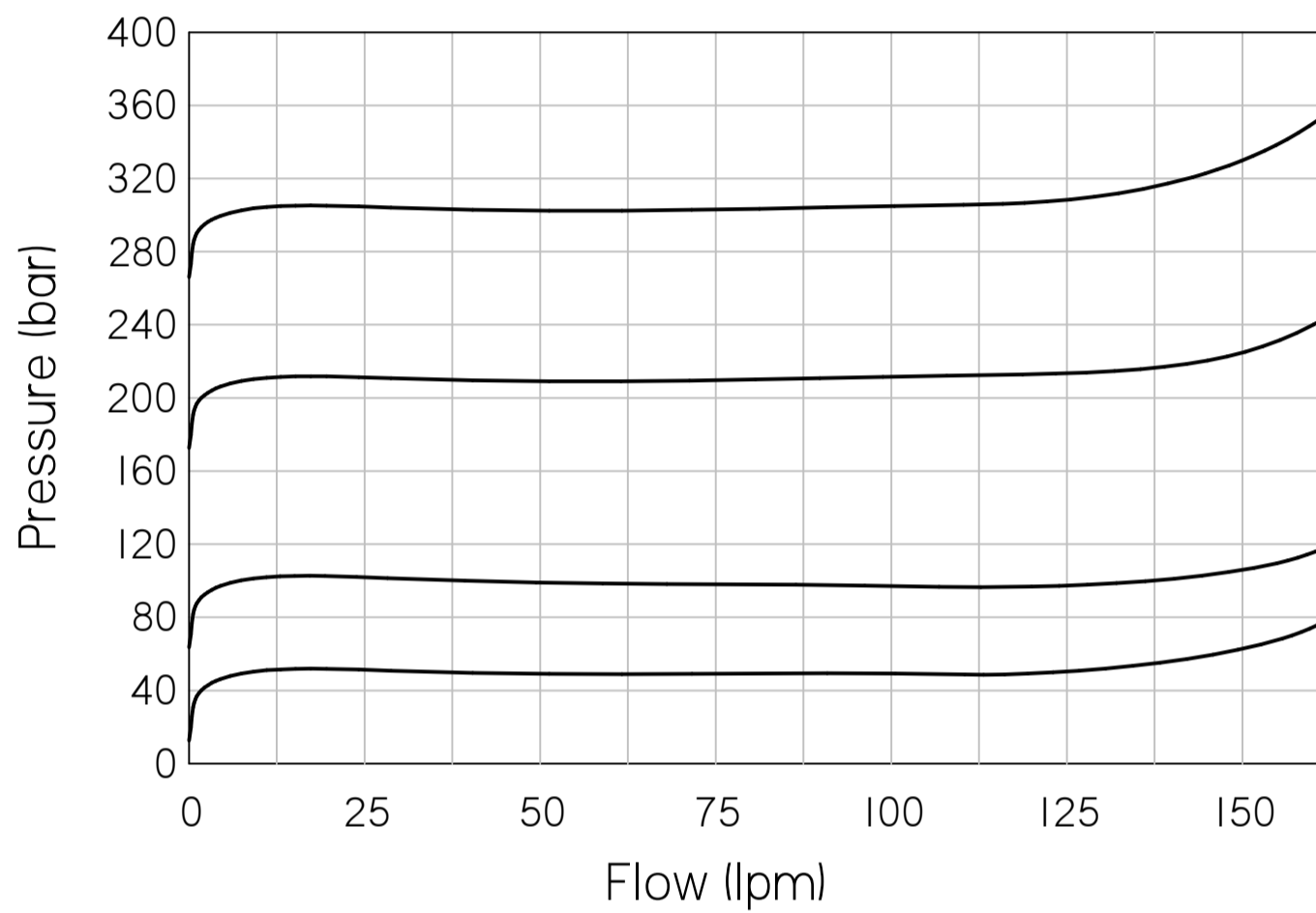
**TO ORDER**

**DR20 K 8W 20**

BASIC CODE ————  
 ADJUSTMENT ————  
 K: KNOB  
 PORT SIZE ————  
 8W: 1 BSP PORTS  
 OMIT FOR CARTRIDGE

PRESSURE RANGE  
 10: 10 to 100 bar  
 20: 20 to 200 bar

**PRESSURE CHARACTERISTICS**



**COMPLETE VALVE** 1" BSP PORTS

BASIC CODE: DR20 8W

ONLY Body Part Numbers (BSP)

Aluminium SG Iron

- - 1" XP241BI

